

A3 sort hvid laserprinter med scanner

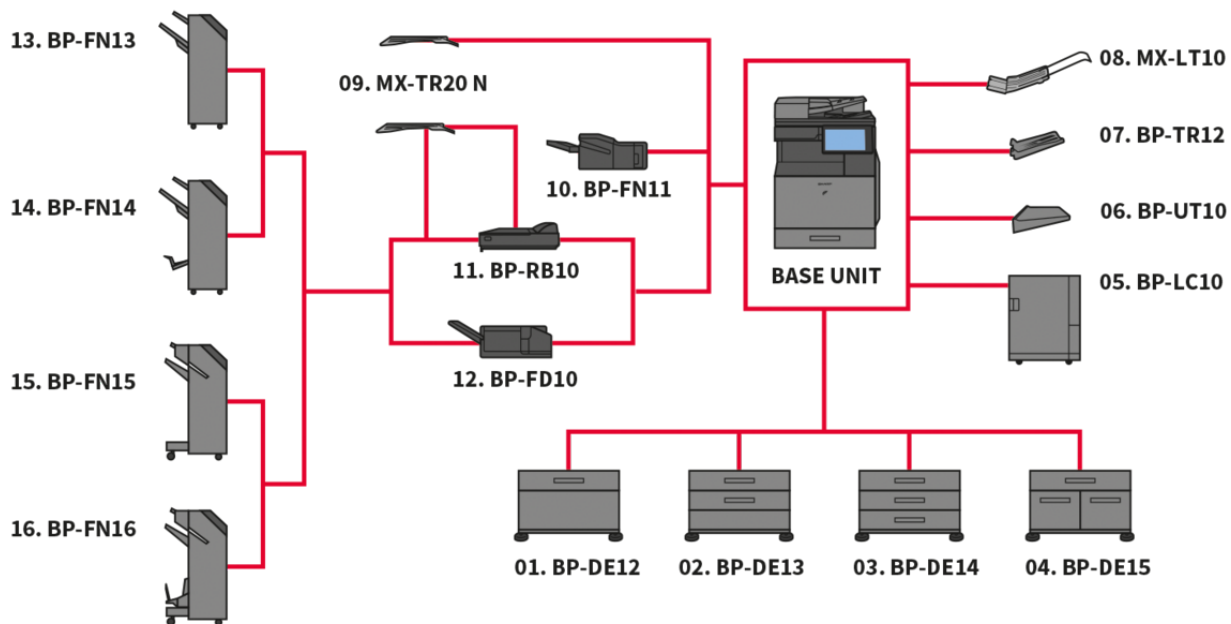
BP-50M31

MFP er en sikker printløsning til fremtidens arbejdsplads.



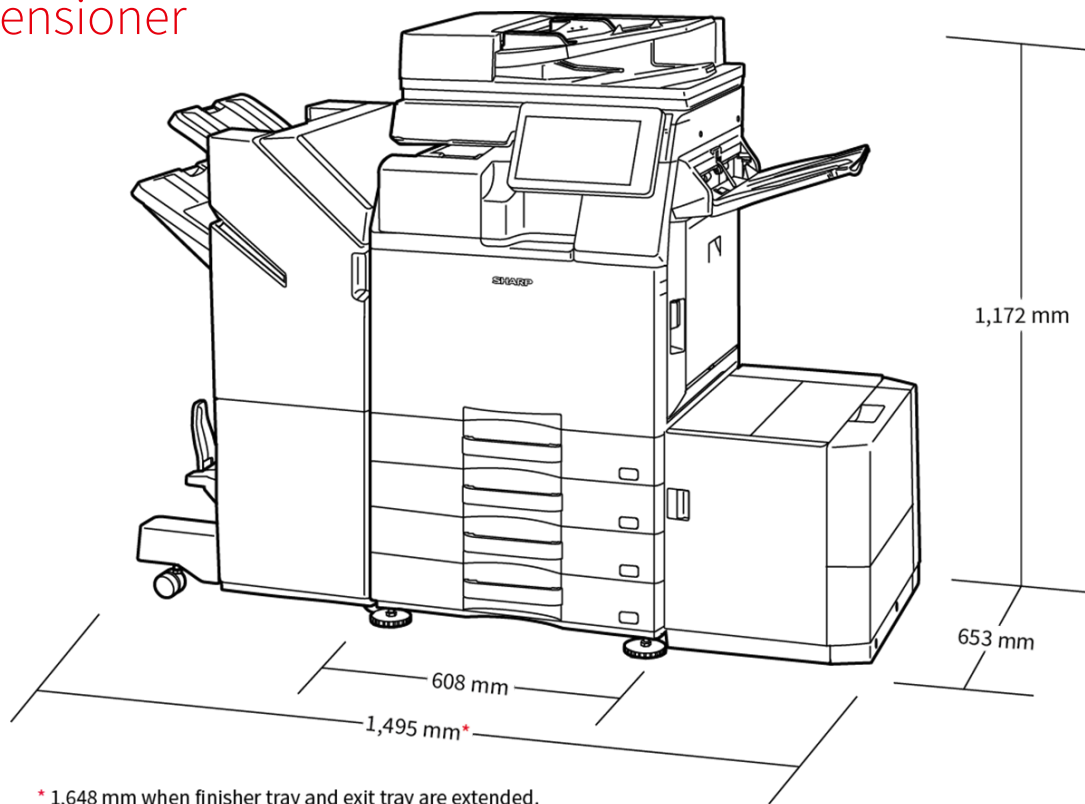
- 31 sider pr. min. SH MFP med problemfri integration og forbindelse til skybaserede forretningsprocesapplikationer
- Indbygget Microsoft® Teams-connector (option) styrker samarbejdet ved at muliggøre direkte og sikker adgang til udskrivning til eller scanning fra dine Microsoft® Teams-kanaler
- Hold dine data, din enhed og dit netværk sikkert med Bitdefender antimalwarebeskyttelsessoftware (ekstraudstyr)
- Udskriv sikkert fra eller scan til offentlige cloudlagertjenester hurtigt og nemt med enkeltlogon
- Omfattende efterbehandlingsmuligheder, herunder en foldeenhed, giver endnu mere fleksibilitet til dit udskriftsoutput
- Hold dig opdateret og kompatibel med eksterne firmware- og programopdateringer via Sharp Application Portal
- Funktionsrig hardware- og løsningsplatform, der understøtter det hybride arbejdsmiljø
- Brancheførende system- og databeskyttelsesfunktioner, herunder BIOS-baseret sikkerhed og standard Trusted Platform Module, sikrer, at fortrolige data holdes sikre
- Interager med MFP'en direkte fra din mobile enhed via WiFi, AirPrint (option), Bluetooth, NFC og QR-kode
- 10.1-tommer farve LCD-kontrolpanel tilbyder en smartphone-stil brugergrænseflade, der gør alt let at få adgang til og bruge
- Overlegen miljøpræstation giver lavere standbystrømforbrug og lav TEC-værdi
- 100-arks reverserende single pass feeder scanner en eller tosidede originaler med hastigheder på op til 80ipm for at fuldføre store opgaver med lethed og effektivitet

Konfiguration



Konfigurationer kan variere pr. Salgsregion. Kontakt din lokale Sharp-repræsentant for yderligere information.

Dimensioner



Målene vises med ekstraudstyr. Indstillingerne kan variere pr. Region.

Options

Base Unit

01. BP-DE12 Stand with 550-sheet paper drawer

550 sheets* , SRA3 to A5R (60 - 300 g/m2)

02. BP-DE13 Stand with 2 x 550-sheet paper drawer

550 sheets* each for lower and upper trays, SRA3 to A5R (60 - 300 g/m2)

03. BP-DE14 Stand with 3 x 550-sheet paper drawer

550 sheets* each for lower and upper trays, SRA3 to A5R (60 - 300 g/m2)

04. BP-DE15 Stand with 550 + 2100-sheet paper drawer

Upper tray: SRA3 - A5R, 550 sheets* (60 - 300 g/m2)

Lower tray (Left): A4, 1,200 sheets* (60 - 105 g/m2)

Lower tray (Right): A4 - B5, 900 sheets* (60 - 105 g/m2)

05. BP-LC10 Large Capacity Tray

3,000 sheets* , A4 - B5 (60 - 220 g/m2)

06. BP-UT10 Utility Table

Printing

MX-PK13 PS3 Expansion Kit

Enables PostScript printing

MX-PU10 Direct Print Expansion Kit

MX-PF10 Barcode Font Kit

Enables barcode printing

Scanning

MX-EB19 Enhanced Compression Kit

Enables creation of high compression PDFs

MX-EB20 OCR Expansion Kit

AR-SU1 Stamp Unit

Marks already scanned documents for checking

Faxing

BP-FX11 Fax Expansion Kit

MX-FWX1 iFax Expansion Kit

Connectivity

BP-EB10 Wireless Connection Adaptor

Enables connection to wireless networks

Storage

BP-SD10 High Capacity SSD

512GB SSD

Sharp OSA®

MX-AMX1 Application Integration Module

BP-AM10 Application Communication Module

BP-AM11 External Account Module

Security

BP-FR12U Data Security Kit

Commercial version

BP-VD10 Virus Detection Kit

Finishing

07. BP-TR12 Exit Tray Unit

08. MX-LT10 Long Paper Feeding Tray

Recommended for banner printing

09. MX-TR20 N Job Separator Tray

Requires BP-TU10 Exit Tray Cabinet

10. BP-FN11 Inner Finisher

A3 - B5 (offset/staple), SRA3 - A5R (non offset)

Offset tray (upper): max. 500-sheet paper capacity*

Stapling capacity: max. 50-sheet multi-position staple*

Manual Stapling: 1-point at rear (Flat), 45 sheets (64 g/m2), 40 sheets (80 g/m2)

Stapleless capacity: max.10-sheet (64 g/m2), 8 sheet (65 - 81.4 g/m2), 6 sheet (81.5 - 105 g/m2)

11. BP-RB10 Paper Pass Unit

Required when using BP-FN13, BP-FN14, BP-FN15 & BP-FN16

12. BP-FD10 Folding Unit

200 sheets* , A3, B4, A4R (Z-fold & half fold), A3, A4R (C-Fold, Accordion fold), 60 - 256 g/m2

13. BP-FN13 1k Finisher

A3W - A5R (offset/staple), SRA3 - A5R (non offset)

Offset tray (upper): max.1,000-sheet paper capacity*

Stapling capacity: max. 50-sheet multi-position staple*

14. BP-FN14 1k Saddle Stitch Finisher

A3W - A5R (offset/staple), SRA3 - A5R (non offset)

Offset tray (upper): max.1,000-sheet paper capacity*

Stapling capacity: max. 50-sheet multi-position staple*

Saddle stitch tray (lower): 7 sets (11-15 sheets), 10 sets (6-10 sheets), 20 sets (1-5 sheets). 15 sheets max per set

15. BP-FN15 3k Finisher

A3 - B5 (offset/staple), SRA3 - A5R (non offset)

Offset tray (upper): max.3,000-sheet paper capacity*

Stapling capacity: max. 65-sheet multi-position staple*

Manual Stapling: 1-point at rear (Flat), 45 sheets (64 g/m2), 40 sheets (80 g/m2)

Stapleless capacity: max.10-sheet (64 g/m2), 8 sheet (65 - 81.4 g/m2), 6 sheet (81.5 - 105 g/m2)

16. BP-FN16 3k Saddle Stitch Finisher

A3 - B5 (offset/staple), SRA3 - A5R (non offset)

Offset tray (upper): max.3,000-sheet paper capacity*

Stapling capacity: max. 65-sheet multi-position staple*

Manual Stapling: 1-point at rear (Flat), 45 sheets (64 g/m2), 40 sheets (80 g/m2)

Stapleless capacity: max.10-sheet (64 g/m2), 8 sheet (65 - 81.4 g/m2), 6 sheet (81.5 - 105 g/m2)

Saddle stitch tray (lower): 10 sets (11-20 sheets), 15 sets (6-10 sheets), 25 sets (1-5 sheets). 20 sheets max per set

MX-PN14B/C/D Punch Modules (3, 2/4, 4 wide) for BP-FN11

MX-PN15B/C/D Punch Modules (3, 2/4, 4 wide) for BP-FN13/BP-FN14

MX-PN16B/C/D Punch Modules (3, 2/4, 4 wide) for BP-FN15/BP-FN16

* Number of sheets based on 80 g/m2

Specifikationer

GENERELT

S/h udskrifter pr. minut (A4)	31
S/h udskrifter pr. minut (A3)	15
Papirstørrelse: min. - max.	A6R - A3W
Papirvægt (g/m ²)	60 - 300
Papirkapacitet: Standard (ark)	650
Papirkapacitet: Max. (ark)	6300
Opvarmningstid (sek.)	13
Hukommelse generelt (Gb)	5
SSD	STD / OPT
SSD kapacitet (GB)	128 / 512
Duplex	STD
Strømkraft (Hz)	220 - 240V, 50 / 60Hz
Strømforbrug (kW)	1.84
Mål (B x D x H) (mm.)	608 x 653 x 829
Vægt (kg)	64

DOKUMENTFREMFØRER

Originalkapacitet (ark)	100
-------------------------	-----

DOKUMENTARKIVERING

Dokumentarkivering (standard / tilbehør)	STD
Arkiveringskapacitet - hovedmappe / brugermapper (sider)	20000
Arkiveringskapacitet - hurtigmappe (sider)	10000
Lagrede jobs	Copy, print, scan, fax transmission
Lagringsmappe	Quick file folder, main folder, custom folder (max. 1000)

FAX

Fax (standard / tilbehør)	OPT
Komprimeringsmetode	MH / MR / MMR / JBIG
Kommunikationsprotokol	Super G3 / G3
Overførselshastighed (sek.)	2
Modemhastighed (bps)	33600 - 2400
Overførselsopløsning	STD 203.2 x 97.8 dpi / Ultra Fine 406.4 x 391 dpi
Dokumentstørrelse (min.)	A5
Dokumentstørrelse (max.)	A3
Hukommelse (Gb)	4
Gråtone niveauer	256
Registrering af indkommende / udgående fax	2000
Gruppesending	500

TRÅDLØST NETVÆRK

Trådløst netværk (standard / tilbehør)	OPT
Gældende regelsæt	IEEE802.11 a / b / g / n / ac
Adgangstilstand	Infrastructure mode, Software AP mode
Sikkerhed	WEP, WPA / WPA2-mixed PSK, WPA / WPA2-mixed EAP, WPA2-PSK, WPA2-EAP, WPA2 / WPA3-mixed PSK / SAE, WPA3 SAE, WPA2 / WPA3-mixed EAP, WPA3 EAP

KOPIMASKINE

Originalstørrelse (Max.)	A3
1. s/h kopi (sek.)	5.4
Elektronisk sortering standard	•
Kontinuerlig kopiering (max kopier)	9,999
Scanneropløsning s/h (dpi)	600 x 600, 600 x 400
Scanneropløsning farve (dpi)	600 x 600
Printeropløsning	600 x 600, 9600 x 600
Gradueringer - s/h	2
Gradueringer - farve	256
Zoomområde (%)	25 - 400
Faste zoomsatser	10

SCANNER

Netværksscanner (standard / tilbehør)	STD
Scanningsmetode - "push" eller "pull" scan	•
Scanneropløsning - "push" scan (dpi)	100, 150, 200, 300, 400, 600
Scanneropløsning "pull" scan (dpi)	75, 100, 150, 200, 300, 400, 600, 50 - 9600
Filformat	TIFF, PDF, PDF / A-1a, PDF / A-1b, encrypted PDF, compact PDF, JPEG, XPS, searchable PDF*, Microsoft Office (pptx, xlsx, docx)*, TXT (UTF-8), RTF *option
Scannerdestinationer desktop	•
Scannerdestinationer FTP, e-mail	•
Scannerdestinationer netværksmappe	•
Scannerdestinationer USB hukommelse	•

PRINTER

Opløsning (dpi)	600 x 600, 9600 x 600
Netværksprinter (standard / tilbehør)	STD Ethernet
Interface Standard / Tilbehør	USB 2.0, USB 3.0, 10Base-T / 100Base-TX / 1000Base-T
Understøttede operativsystemer standard	Windows 8.1, 10, 11. Windows Server 2012, 2012R2, 2016, 2019
Understøttede operativsystemer (tilbehør)	Mac OS X 10.10, 10.11, 10.12, 10.13, 10.14, 10.15, 11, 12
Netværksprotokoller	TCP / IP (IPv4, IPv6)
Printerprotokoller	LPR, Raw TCP (port 9100), POP3 (e-mail printing), HTTP, FTP for downloading print files, IPP, SMB, WSD
PDL standard / tilbehør	STD PCL 6. OPT Adobe® PostScript® 3™
Tilgængelig fonte	80 (PCL), 139 (Adobe PostScript 3)

EFTERBEHANDLING

Kapacitet Max.	500 - 3000
Hæfte kapacitet (sider) max.	65
Falsning (folde-funktion)	OPT
Off-set forskydning	STD
Hulle funktion	OPT

TONER INDHOLD

Sort (sider med 6% dækflade)	40000
------------------------------	-------



Design and specifications are subject to change without prior notice. All information was correct at time of print. Microsoft, Excel, PowerPoint, OneDrive, SharePoint, Active Directory, Windows Server, and Windows are either registered trademarks or trademarks of Microsoft Corporation in the US and/or other countries. Adobe and PostScript 3 are either registered trademarks or trademarks of Adobe Systems Incorporated in the US and/or other countries. Google Drive, Gmail, Android, and Google Cloud Print are trademarks of Google LLC. The Google Drive trademark is used with permission from Google LLC. Box is a trademark, service mark, or registered trademark of Box, Inc. QR Code is a registered trademark of DENSO WAVE INCORPORATED in Japan and other countries. AirPrint and Mac are trademarks of Apple Inc., registered in the US and other countries. PCL is a registered trademark of Hewlett-Packard Company. Qualcomm DirectOffice is a product of Qualcomm Technologies, Inc. and/or its subsidiaries. Qualcomm is a trademark of Qualcomm Incorporated, registered in the US and other countries. DirectOffice is a trademark of CSR Imaging US, LP, registered in the US and other countries. All other company names, product names and logotypes are trademarks or registered trademarks of their respective owners. ©Sharp Corporation July 2022. Ref: BP-50M31 Datasheet. All trademarks acknowledged. E&O.