

A3 farve laserprinter med scanner

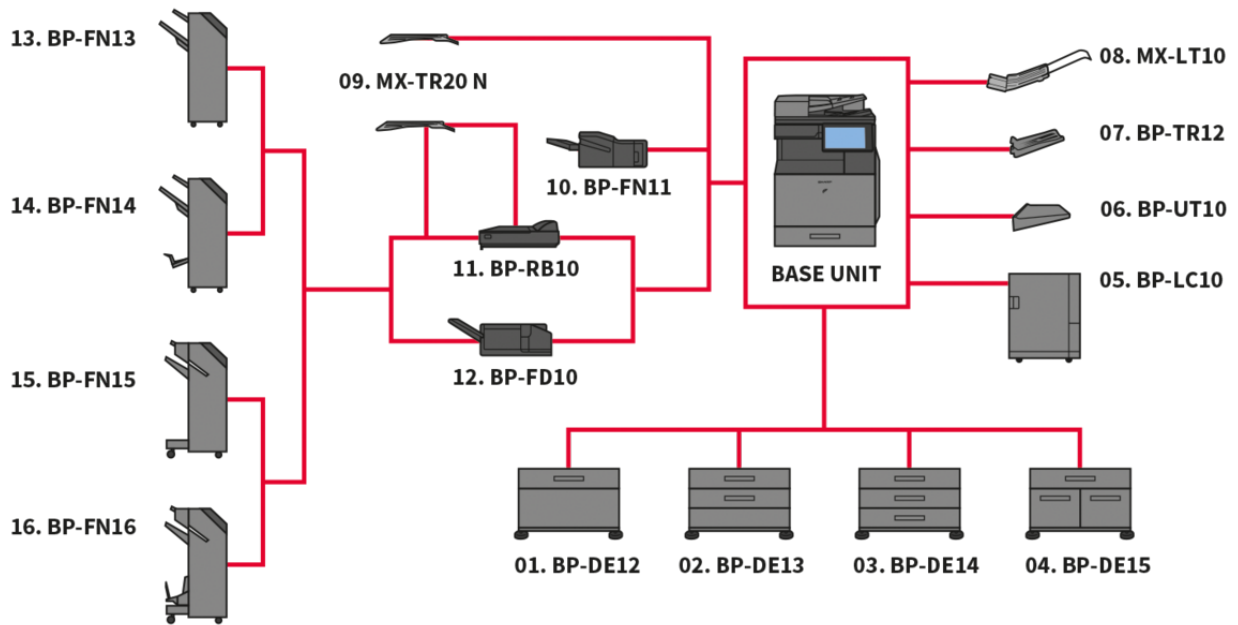
BP-60C31

Fremtidssikret ved design med strenge sikkerhedsfunktioner og overlegen funktionalitet til hybridarbejde



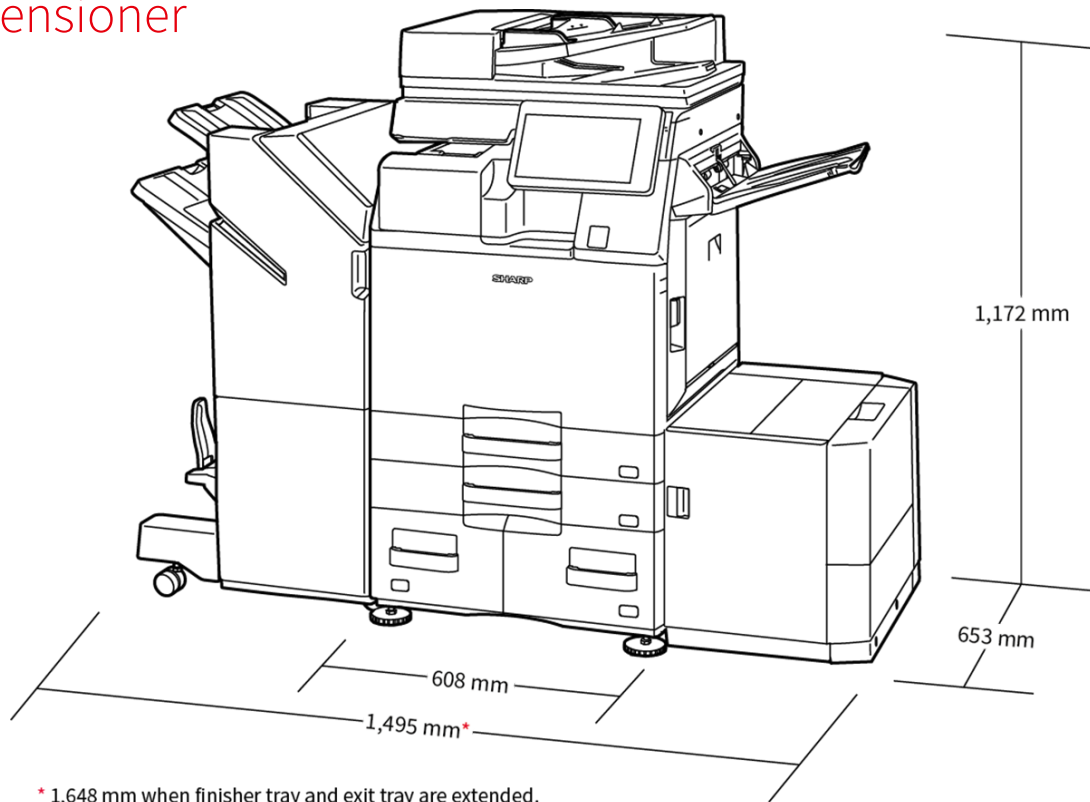
- 31ppm colour MFP with seamless integration and connection to cloud based business process applications
- Built-in Microsoft® Teams connector strengthens collaboration by enabling direct and secure access for printing to or scanning from your Microsoft® Teams channels
- Keep your data, device and network secure with optional Bitdefender anti-malware protection software
- Securely print from or scan to public cloud storage services quickly and easily with single sign-on
- Extensive finishing options including a folding unit bring even more flexibility to your print output
- Keep up-to-date and compliant with remote firmware and application updates via the Sharp Application Portal
- Feature rich hardware and solutions platform that supports the hybrid working environment
- Industry leading system and data protection features including BIOS based security and standard Trusted Platform Module ensure that confidential data is kept secure
- Interact with the MFP directly from your mobile device via WiFi, AirPrint, Bluetooth, NFC and QR Code
- 10.1-inch colour LCD operation panel offers a smartphone style user interface making everything easy to access and use
- Superior environmental performance delivers lower standby power consumption and low TEC value
- 100-sheet Reversing Single Pass Feeder scans originals at speeds of up to 80ipm for completing large jobs with ease and efficiency

Konfiguration



Konfigurationer kan variere pr. Salgsregion. Kontakt din lokale Sharp-repræsentant for yderligere information.

Dimensioner



Målene vises med ekstraudstyr. Indstillingerne kan variere pr. Region.

Options

Base Unit

01. BP-DE12 Stand with 550-sheet paper drawer

550 sheets* , SRA3 - A5R (60 - 300 g/m2)

02. BP-DE13 Stand with 2 x 550-sheet paper drawer

550 sheets* each for lower and upper trays, SRA3 - A5R (60 - 300 g/m2)

03. BP-DE14 Stand with 3 x 550-sheet paper drawer

550 sheets* each for lower and upper trays, SRA3 - A5R (60 - 300 g/m2)

04. BP-DE15 Stand with 550 + 2100-sheet paper drawer

Upper tray: SRA3 - A5R, 550 sheets* (60 - 300 g/m2)

Lower tray (Left): A4, 1,200 sheets* (60 - 105 g/m2)

Lower tray (Right): A4 - B5, 900 sheets* (60 - 105 g/m2)

05. BP-LC10 Large Capacity Tray

3,000 sheets* , A4 - B5 (60 - 220 g/m2)

06. BP-UT10 Utility Table

Printing

MX-PF10 Barcode Font Kit

Enables barcode printing

Scanning

AR-SU1 Stamp Unit

Marks already scanned documents for checking

Faxing

BP-FX11 Fax Expansion Kit

MX-FWX1 iFax Expansion Kit

Storage

BP-SD10 High Capacity SSD

512GB SSD

Sharp OSA®

MX-AMX1 Application Integration Module

Security

BP-FR12U Data Security Kit

Commercial version

BP-VD10 Virus Detection Kit

Finishing

07. BP-TR12 Exit Tray Unit

Recommended for banner printing

09. MX-TR20 N Job Separator Tray

Requires BP-TU10 Exit Tray Cabinet

10. BP-FN11 Inner Finisher

A3 - B5 (offset/staple), SRA3 - A5R (non offset)

Offset tray (upper): max. 500-sheet paper capacity*

Stapling capacity: max. 50-sheet multi-position staple*

Manual Stapling: 1-point at rear (Flat), 45 sheets (64 g/m2), 40 sheets (80 g/m2)

Stapleless capacity: max. 10-sheet (64 g/m2), 8 sheet (65 - 81.4 g/m2), 6 sheet (81.5 - 105 g/m2)

11. BP-RB10 Paper Pass Unit

Required when using BP-FN13, BP-FN14, BP-FN15 & BP-FN16

12. BP-FD10 Folding Unit

200 sheets* , A3, B4, A4R (Z-fold & half fold), A3, A4R (C-Fold, Accordion fold), 60 - 256 g/m2

13. BP-FN13 1k Finisher

A3W - A5R (offset/staple), SRA3 - A5R (non offset)

Offset tray (upper): max. 1,000-sheet paper capacity*

Stapling capacity: max. 50-sheet multi-position staple*

14. BP-FN14 1k Saddle Stitch Finisher

A3W - A5R (offset/staple), SRA3 - A5R (non offset)

Offset tray (upper): max. 1,000-sheet paper capacity*

Stapling capacity: max. 50-sheet multi-position staple*

Saddle stitch tray (lower): 7 sets (11-15 sheets), 10 sets (6-10 sheets), 20 sets (1-5 sheets). 15 sheets max per set

15. BP-FN15 3k Finisher

A3 - B5 (offset/staple), SRA3 - A5R (non offset)

Offset tray (upper): max. 3,000-sheet paper capacity*

Stapling capacity: max. 65-sheet multi-position staple*

Manual Stapling: 1-point at rear (Flat), 45 sheets (64 g/m2), 40 sheets (80 g/m2)

Stapleless capacity: max. 10-sheet (64 g/m2), 8 sheet (65 - 81.4 g/m2), 6 sheet (81.5 - 105 g/m2)

16. BP-FN16 3k Saddle Stitch Finisher

A3 - B5 (offset/staple), SRA3 - A5R (non offset)

Offset tray (upper): max. 3,000-sheet paper capacity*

Stapling capacity: max. 65-sheet multi-position staple*

Manual Stapling: 1-point at rear (Flat), 45 sheets (64 g/m2), 40 sheets (80 g/m2)

Stapleless capacity: max. 10-sheet (64 g/m2), 8 sheet (65 - 81.4 g/m2), 6 sheet (81.5 - 105 g/m2)

Saddle stitch tray (lower): 10 sets (11-20 sheets), 15 sets (6-10 sheets), 25 sets (1-5 sheets). 20 sheets max per set

MX-PN14B/C/D Punch Modules (3, 2/4, 4 wide) for BP-FN11

MX-PN15B/C/D Punch Modules (3, 2/4, 4 wide) for BP-FN13/BP-FN14

MX-PN16B/C/D Punch Modules (3, 2/4, 4 wide) for BP-FN15/BP-FN16

* Number of sheets based on 80 g/m2

Specifikationer

GENERELT

Hastighed - sider pr. minut (A4)	31
Hastighed - s/h sider pr. minut (A4)	31
Hastighed - farvesider pr. minut (A3)	15
Hastighed - s/h sider pr. minut (A3)	15
Papirstørrelse: min. - max.	A6R - SRA3
Papirvægt (g/m ²)	55 - 300
Papirkapacitet :Standard (ark)	650
Papirkapacitet :Max (ark)	6300
Opvarmningstid (sek.)	18
Hukommelse generelt (Gb)	5
SSD	STD / OPT
SSD kapacitet (GB)	256 / 512
Duplex	STD
Strømkraft	200 - 240V, 50 / 60Hz
Strømforbrug (kW)	1.84
Mål (B x D x H) (mm.)	608 x 653 x 829
Vægt (kg)	79

DOKUMENTFREMFØRER

Originalkapacitet (ark)	100
-------------------------	-----

DOKUMENTARKIVERING

Dokumentarkivering (standard / tillbehør)	STD
Arkiveringskapacitet - hovedmappe / brugermapper (sider)	20000
Arkiveringskapacitet - hurtigmappe (sider)	10000
Lagret jobs	Copy, print, scan, fax transmission
Lagringsmappe	Quick file folder, main folder, custom folder (max. 1000)

FAX

Fax (standard / tillbehør)	OPT
Kompressionsmetode	MH / MR / MMR / JBIG
Kommunikationsprotokol	Super G3 / G3
Overførsels hastighed (sek.)	2
Modemhastighed (bps)	33600 - 2400
Overførselsopløsning (sek.)	STD 203.2 x 97.8 dpi / Ultra Fine 406.4 x 391 dpi
Dokument størrelse (min.)	A5
Dokument størrelse (max.)	A3
Hukommelse (Gb)	4
Gråtone niveauer	256
Registrering af indkommende / udgående fax	2000
Gruppesending	500

TRÅDLØST NETVÆRK

Trådløst netværk (standard / tillbehør)	STD
Gældende regelsæt	IEEE802.11 a / b / g / n / ac
Adgangstilstand	Infrastructure mode, Software AP mode
Sikkerhed	WEP, WPA / WPA2-mixed PSK, WPA / WPA2-mixed EAP, WPA2-PSK, WPA2-EAP, WPA2 / WPA3-mixed PSK / SAE, WPA3 SAE, WPA2 / WPA3-mixed EAP, WPA3 EAP

KOPIMASKINE

Originalstørrelse (Max.)	A3
1. farvekopi (sek.)	7.6
1. s/h kopi (sek.)	5.6
Elektronisk sortering standard	•
Kontinuerlig kopiering (max. kopier)	9,999
Scanneropløsning ved s/h (dpi)	600 x 600, 600 x 400
Scanneropløsning ved farve (dpi)	600 x 600
Printeropløsning	1200 x 1200, 600 x 600, 9600 x 600
Gradueringer - farve	256
Zoomområde (%)	25 - 400
Faste zoom-satser	10

SCANNER

Netværksscanner (standard / tillbehør)	STD
Scanningsmetode - "push" eller "pull" scan	•
Scanneropløsning - "push" scan (dpi)	100, 150, 200, 300, 400, 600
Scanneropløsning - "pull" scan (dpi)	75, 100, 150, 200, 300, 400, 600, 50 - 9600
Fil formater	TIFF, PDF, PDF / A-1a, PDF / A-1b, encrypted PDF, compact PDF, JPEG, XPS, searchable PDF, Microsoft Office (pptx, xlsx, docx), TXT (UTF-8), RTF
Scannerdestinationer desktop	•
Scannerdestinationer FTP, E-mail	•
Scannerdestinationer netværksmappe	•
Scannerdestinationer USB hukommelse	•

PRINTER

Opløsning (dpi)	1200 x 1200, 600 x 600, 9600 x 600
Netværksprinter (standard / tillbehør)	STD Ethernet
Interface Standard / Tilbehør	USB 2.0, USB 3.0, 10Base-T / 100Base-TX / 1000Base-T, Optional secondary LAN support
Understøttede operativsystemer (standard)	Windows 8.1, 10, 11, Windows Server 2012, 2012R2, 2016, 2019, Mac OS X 10.10, 10.11, 10.12, 10.13, 10.14, 10.15, 11, 12
Netværksprotokoller	TCP / IP (IPv4, IPv6)
Printerprotokoller	LPR, Raw TCP (port 9100), POP3 (e-mail printing), HTTP, FTP for downloading print files, IPP, SMB, WSD
PDL standard / tilbehør	STD PCL 6, Adobe® PostScript® 3™
Tilgængelig fonte	80 (PCL), 139 (Adobe PostScript 3)

EFTERBEHANDLING

Kapacitet Max.	500 - 3000
Hæfte kapacitet (sider) max	65
Falsning (folde-funktion)	OPT
Off-set forskydning	STD
Hulle funktion	OPT

TONER INDHOLD

Sort (sider med 5% dækflade)	40000
Cyan (sider med 5% dækflade)	24000
Magenta (sider med 5% dækflade)	24000
Yellow (sider med 5% dækflade)	24000



Design and specifications are subject to change without prior notice. All information was correct at time of print. Microsoft, Excel, PowerPoint, OneDrive, SharePoint, Active Directory, Windows Server, and Windows are either registered trademarks or trademarks of Microsoft Corporation in the US and/or other countries. Adobe and PostScript 3 are either registered trademarks or trademarks of Adobe Systems Incorporated in the US and/or other countries. Google Drive, Gmail and Android are trademarks of Google LLC. The Google Drive trademark is used with permission from Google LLC. Box is a trademark, service mark, or registered trademark of Box, Inc. QR Code is a registered trademark of DENSO WAVE INCORPORATED in Japan and other countries. AirPrint and Mac are trademarks of Apple Inc., registered in the US and other countries. PCL is a registered trademark of Hewlett-Packard Company. Qualcomm DirectOffice is a product of Qualcomm Technologies, Inc. and/or its subsidiaries. Qualcomm is a trademark of Qualcomm Incorporated, registered in the US and other countries. DirectOffice is a trademark of CSR Imaging US, LP, registered in the US and other countries. All other company names, product names and logotypes are trademarks or registered trademarks of their respective owners. ©Sharp Corporation March 2022. Ref: BP-60C31 Datasheet. All trademarks acknowledged. E&O.