

Produktionsprintere A3 farve

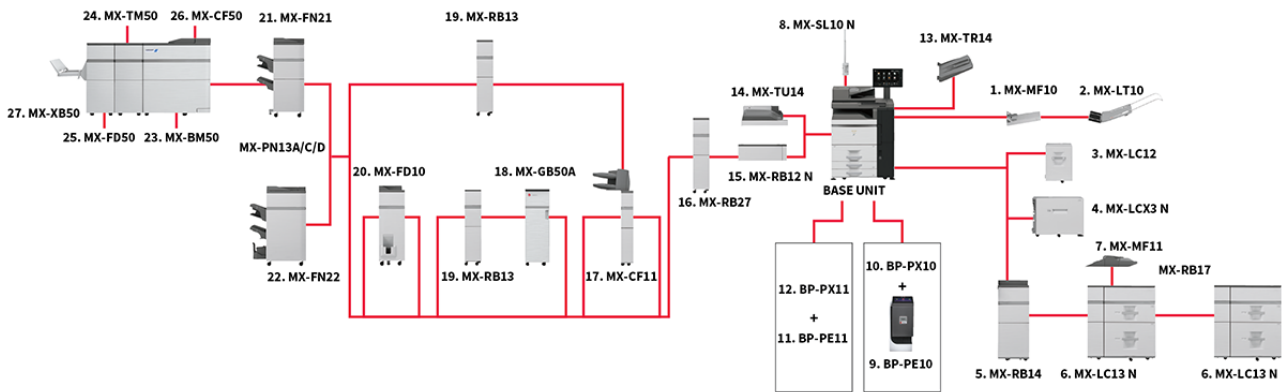
BP-90C70

Professionelt farveprint med enestående produktivitet og enestående printkvalitet



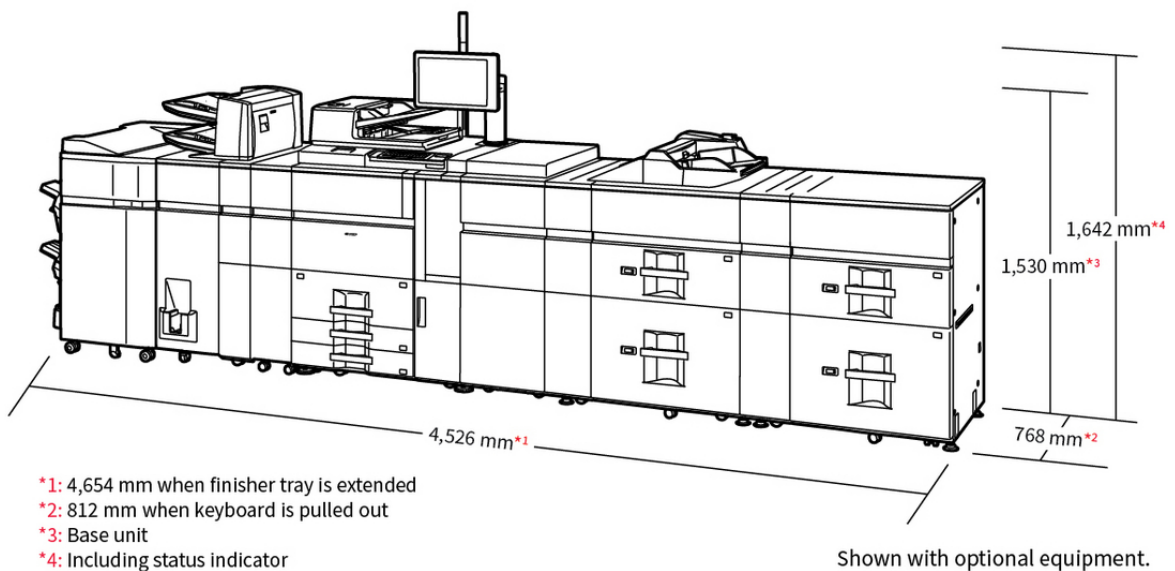
- Produktionsprinter, der udskriver med en hastighed på 70 sider i minuttet og integrerer og forbinder til cloud-baserede applikationer til forretningsprocesser
- Versatile paper handling of up to 360gsm thickness and edge-to-edge printing lets you create posters and full bleed booklets
- Brancheførende system- og databeskyttelsesfunktioner, herunder BIOS-baseret sikkerhed og Trusted Platform Module som standard, sikrer, at fortrolige data opbevares sikkert
- Print sikkert fra eller scan til offentlige cloud-lagringstjenester hurtigt og nemt med Single Sign-OnPrint sikkert fra eller scan til offentlige cloud-lagringstjenester hurtigt og nemt med Single Sig
- Tonere med lavt smeltepunkt giver overlegen miljøpræstation og en lav TEC-værdi
- Ved at koble enheden med en Fiery Service - ekstern eller indbygget, kan du effektivt håndtere et hektisk miljø for on-demand-udskifter.
- Scan med hastigheder på op til 280 ipm i batches på op til 300 ark med dual-feed sensing for at eliminere afbrydelser i produktiviteten
- Fremragende printopløsning på 2400 dpi, som sikrer, at fine linjer og lille tekst er skarp og klar
- Hold dine data, din enhed og dit netværk sikkert med valgfri Bitdefender antimalware-software
- Omfattende efterbehandlingsmuligheder, såsom en indsætter, foldeenhed og trimmemodul, tilføjer endnu mere fleksibilitet til dine udskrifter
- 15,4-tommer flad farveberørings-skærm viser aktuelle driftsoplysninger samt papir-, toner- og vedligeholdelsesmeddelelser
- Funktionsrig hardware og løsningsplatform, der understøtter hybride arbejdsmiljøer

Konfiguration



Konfigurationer kan variere pr. Salgsregion. Kontakt din lokale Sharp-repræsentant for yderligere information.

Dimensioner



Målene vises med ekstraudstyr. Indstillingerne kan variere pr. Region.

Options

BASE UNIT

1. MX-MF10 Multi Bypass Tray (for Base Unit)

A5R - A3W (also supports 13" x 19.2"), 100 sheets (80gsm)

Cannot be installed with MX-LC13N.

2. MX-LT10 Long Paper Feeding Tray

Recommended for banner printing.

3. MX-LC12 Large Capacity Tray (A4)

A4 - B5, 3,500 sheets (80gsm)

Requires MX-MFX1. Cannot be installed with MX-LCX3 N or MX-LC13N.

4. MX-LCX3 N Large Capacity Tray (A3)

A3 - A4R (also supports 13" x 19.2"), 3,000 sheets (80gsm)

Requires MX-MFX1. Cannot be installed with MX-LC12 or MX-LC13N.

5. MX-RB14 Paper Pass Unit (between Base Unit and MX-LC13N)

Must be installed with MX-LC13N.

6. MX-LC13 N Large Capacity Trays

SRA3 - A4R (also supports 13" x 19.2"), 2,500 sheets each (80gsm)

Requires MX-RB16. Cannot be installed with MX-LC12 or MX-LCX3 N.

MX-RB17 Connection Module

Required if 2 x MX-LC13 N are installed.

7. MX-MF11 Multi Bypass Tray (for MX-LC13N)

SRA3 - A5R (also supports 13" x 19.2"), 500 sheets (80gsm)

8. MX-SL10N Status Indicator

9. BP-PE10 Fiery Server

Requires BP-PX10

10. BP-PX10 Interface Kit

Requires BP-PE10

11. MX-PE11 Fiery Server

Requires MX-PX11

12. MX-PX11 Interface Kit

Requires MX-PE11

PRINTING

MX-PF10 Barcode Font Kit

Enables barcode printing

SHARP OSA®

MX-AMX1 Application Integration Module

STORAGE

BP-SD10 High-Capacity SSD

512GB SSD

SECURITY

BP-FR12U Data Security Kit

Commercial version

BP-VD10 Virus Detection Kit

FINISHING

13. MX-TR14 Exit Tray Unit

Cannot be installed with MX-RB14, MX-LC13 N and MX-MF11.

14. MX-TU14 Exit Tray Cabinet

15. MX-RB12 N Paper Pass Unit (for Base Unit)

16. MX-RB27 Curl Correction Unit

Corrects paper curling by putting pressure on the convex/concave curl.

Required if MX-FN21 or MX-FN22 is installed.

17. MX-CF11 Inserter

SRA3 - A5R, 200 sheets each (80gsm)

Requires MX-RB27 and either MX-RB13 or MX-FD10 if connecting to MX-FN21 or MX-FN22.

18. MX-GB50A GBC SmartPunch Unit

Paper size: A4

Paper weight: 75-216 gsm

Requires MX-RB13 and either MX-FN21 or MX-FN22

19. MX-RB13 Relay Unit (between 100-sheet finisher and inserter)

Must be installed if MX-FD10 is not required.

Required if MX-GB50A is installed.

20. MX-FD10 Folding Unit

Folding options include Z, C, accordion, double and half folds.

Can only be installed with MX-FN21 or MX-FN22.

21. MX-FN21 Finisher (4k - 100-sheet staple)

Requires MX-RB13. Cannot be installed with MX-FN22.

A3 - B5 (offset/staple), SRA3 - A5R (non offset)

Upper tray: 1,500 sheets (80gsm), Middle tray: 250 sheets (80gsm), Lower tray: 2,500 sheets (80gsm)

100-sheet (80gsm) staple capacity (front, rear or 2 point stitching)

22. MX-FN22 Saddle Stitch Finisher (4k - 100-sheet staple)

Requires MX-RB13. Cannot be installed with MX-FN21.

A3 - B5 (offset/staple), SRA3 - A5R (non offset)

Upper tray: 1,500 sheets (80gsm), Middle tray: 250 sheets (80gsm), Lower tray: 2,500 sheets (80gsm)

100-sheet (80gsm) staple capacity (front, rear or 2 point stitching)

Saddle stitch tray: 5 sets (16-20 sheets), 10 sets (11-15 sheets), 15 sets (6-10 sheets), 25 sets (1-5 sheets)

MX-PN13A/C/D Punch Module (for MX-FN21 or MX-FN22)

A: 2 hole punch, C: 2/4 hole punch, D: 4 hole wide punch

MX-TM10 Trimming Module (for MX-FN22)

Up to 20mm trim width, 1,500 sheets (80gsm)

23. MX-BM50 Booklet Maker (Plockmatic)

A4, A3, SRA3 Requires MX-FN21 and MX-XB50

24. MX-TM50 Trimmer (for Plockmatic)

A4, A3, SRA3 Paper size: 206 x 275 mm (Min) to 320 x 457.2 mm (Max) Paper Weight: 64-300

g/m² Capacity: 1-30 sheets* (stapled and folded) Requires MX-BM50 & MX-TM50.

25. MX-FD50 Square Folder (for Plockmatic)

A4, A3, SRA3 Paper size: 206 x 275 mm (Min) to 320 x 457.2 mm (Max) Paper Weight: 64-300 g/m² Capacity: 1-30 sheets* (stapled and folded) Requires MX-BM50 & MX-TM50

26. MX-CF50 Cover Feeder (for Plockmatic)

Paper Weight: 70-250 g/m² Capacity: 20mm (approx. 200 sheets of 80g/m² paper) Requires MX-BM50.

27. MX-XB50 Rail Unit

Requires MX-BM50

Specifikationer

GENERELT

Hastighed - sider pr. minut (A4)	70
Hastighed - s/h sider pr. minut (A4)	75
Hastighed - farvesider pr. minut (A3)	34
Hastighed - s/h sider pr. minut (A3)	34
Papirstørrelse: min. - max.	A6R - SRA3
Papirvægt (g/m ²)	55-360
Papirkapacitet: Standard (ark)	3100
Papirkapacitet :Max (ark)	13500
Opvarmningstid (sek.)	80
Hukommelse generelt (Gb)	6
Duplex	STD
Strømkrav	AC 220 V to 240 V, 8 A, 50 / 60 Hz
Strømforbrug (kW)	3.84
Mål (B x D x H) (mm.)	982 x 768 x 1,530
Vægt (kg)	220

DOKUMENTFREMFORER

Originalkapacitet (ark)	300
-------------------------	-----

DOKUMENTARKIVERING

Arkiveringskapacitet - hovedmappe / brugermapper (sider)	20000
Arkiveringskapacitet - hurtigmappe (sider)	10000
Lagret jobs	Copy, print, scan
Lagringsmappe	Quick file folder, main folder, custom folder (max. 1000)

EFTERBEHANDLING

Falsning (folde-funktion)	OPT
Off-set forskydning	STD
Hulle funktion	OPT
Hullemodul	OPT
Indsætter	OPT
Foldeenhed (falsning)	OPT

KOPIMASKINE

Originalstørrelse (Max.)	A3
1. farvekopi (sek.)	4.8
1. s/h kopi (sek.)	3.7
Kontinuertlig kopiering (max. kopier)	9999
Scanneropløsning ved s/h (dpi)	600 x 600, 600 x 400
Scanneropløsning ved farve (dpi)	600 x 600
Printeropløsning	600 x 600, 9,600 (equivalent) x 600, 1,200 x 1,200 (B / W only)
Gradueringer - farve	256
Zoomområde (%)	25-400 (25-200 using DSPF) in 1% increments
Faste zoom-satser	10 ratios (5R / 5E)

SCANNER

Netværksscanner (standard / tilbehør)	STD
Scanningsmetode - "push" eller "pull" scan	•
Scanneropløsning - "push" scan (dpi)	100, 150, 200, 300, 400, 600
Scanneropløsning - "pull" scan (dpi)	75, 100, 150, 200, 300, 400, 600, 50 - 9,600
Fil formater	TIFF, PDF, PDF / A-1a, PDF / A-1b, encrypted PDF, XPS, compact PDF, JPEG, searchable PDF, OOXML (docx, xlsx, pptx), text (TXT [UTF-8]), rich text (RTF)
Scannerdestinationer desktop	•
Scannerdestinationer FTP, E-mail	•
Scannerdestinationer netværksmappe	•
Scannerdestinationer USB hukommelse	•

PRINTER

Netværksprinter (standard / tilbehør)	STD
Opløsning (dpi)	2,400 x 2,400, 1,200 x 1,200, 600 x 600, 9,600 (equivalent) x 600
Interface Standard / Tilbehør	USB 2.0, USB 3.0, 10Base-T / 100Base-TX / 1000Base-T
Understøttede operativsystemer standard	Windows Server 2012, Windows Server 2012 R2, Windows Server 2016, Windows Server 2019, Windows Server 2022, Windows 10, Windows 11, Mac OS 10.10, 10.11, 10.12, 10.13, 10.14, 10.15, 11, 12, 13
Netværksprotokoller	TCP / IP
Printerprotokoller	LPR, Raw TCP (port 9100), POP3 (email printing), HTTP, FTP for downloading print files, IPP, IPP Everywhere, SMB, WSD
PDL standard / tilbehør	PCL 6 emulation, Adobe PostScript 3
Tilgængelig fonte	80 (PCL), 139 (PS3)

TONER INDHOLD

Sort (sider med 5% dækflade)	70,000
Cyan (sider med 5% dækflade)	60,000
Magenta (sider med 5% dækflade)	60,000
Yellow (sider med 5% dækflade)	60,000

